



US00D979070S

(12) **United States Design Patent** (10) **Patent No.:** **US D979,070 S**
Peabody (45) **Date of Patent:** **** Feb. 21, 2023**

(54) **MEDICAL DIAGNOSTIC DEVICE**
(71) Applicant: **Steven R. Peabody**, Zionsville, IN (US)
(72) Inventor: **Steven R. Peabody**, Zionsville, IN (US)
(**) Term: **15 Years**
(21) Appl. No.: **29/795,660**
(22) Filed: **Jun. 19, 2021**

Related U.S. Application Data

(63) Continuation of application No. 16/090,585, filed as application No. PCT/US2017/025689 on Apr. 3, 2017, now Pat. No. 11,064,948.
(51) **LOC (14) Cl.** **24-02**
(52) **U.S. Cl.**
USPC **D24/167; D24/186**
(58) **Field of Classification Search**
USPC D24/164, 165, 167, 168, 169, 186, 187, D24/107
CPC A61B 5/0205; A61B 5/02405; A61B 5/02427; A61B 5/02438; A61B 5/0245; A61B 5/254; A61B 5/257; A61B 5/26; A61B 5/271; A61B 5/28; A61B 5/282; A61B 5/308; A61B 5/318; A61B 5/332; A61B 5/0022; A61B 5/02055; A61B 5/6898; A61B 5/1112; A61B 5/1117; A61B 5/1118; A61B 5/14532

See application file for complete search history.

(56) **References Cited**
U.S. PATENT DOCUMENTS
D679,399 S * 4/2013 Syu D24/167
D810,593 S * 2/2018 Liu D24/167
D868,974 S * 12/2019 Albert D24/167
D895,118 S * 9/2020 Hwang D24/167
D918,391 S * 5/2021 Hwang D24/167
D932,016 S * 9/2021 Lam D24/167
D936,227 S * 11/2021 Chang D24/167
D940,326 S * 1/2022 Kinoshita D24/167
2008/0234592 A1* 9/2008 Lim A61B 5/318
600/509
2017/0202464 A1* 7/2017 Tsao A61B 5/332
2020/0138314 A1* 5/2020 Doctor A61B 5/282
2020/0229765 A1* 7/2020 Peabody A61B 5/6831

* cited by examiner

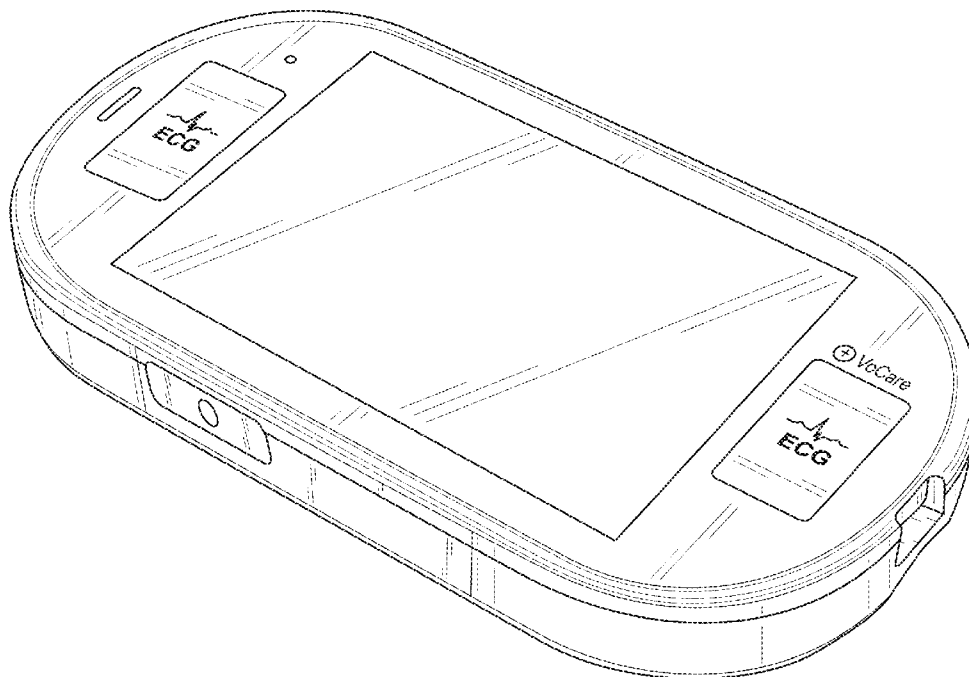
Primary Examiner — Anhdao Doan
(74) *Attorney, Agent, or Firm* — Brannon Sowers & Cracraft PC

(57) **CLAIM**
The ornamental design for a medical diagnostic device, as shown and described.

DESCRIPTION

FIG. 1 is a top perspective view of a medical diagnostic device, showing our new design;
FIG. 2 is a front side elevation view thereof;
FIG. 3 is a back side elevation view thereof;
FIG. 4 is a left side elevation view thereof;
FIG. 5 is a right side elevation view thereof;
FIG. 6 is a top plan view thereof;
FIG. 7 is a bottom plan view thereof; and,
FIG. 8 is a bottom perspective view thereof, showing a portion thereof in an alternate position.

1 Claim, 7 Drawing Sheets



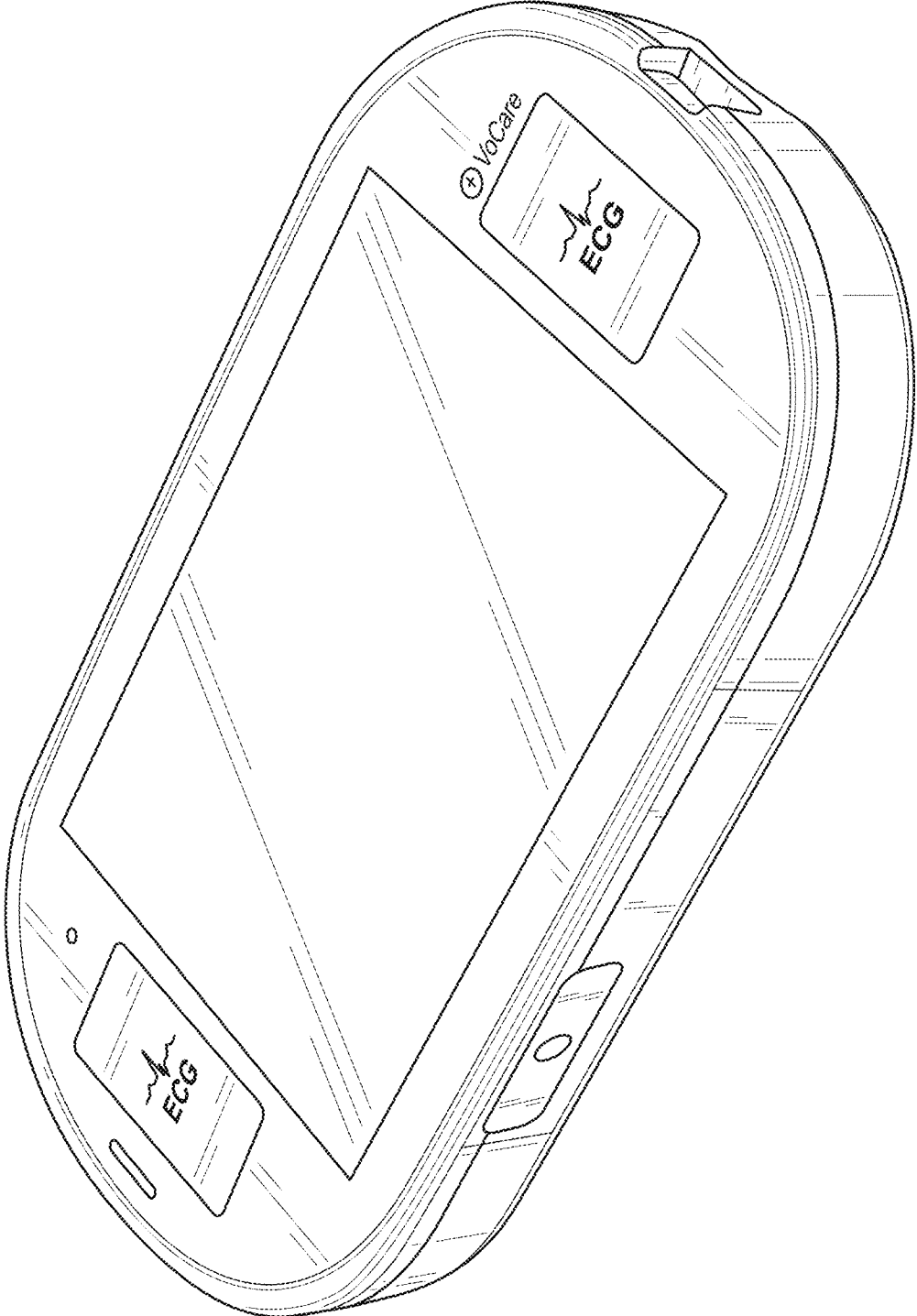


FIG. 1

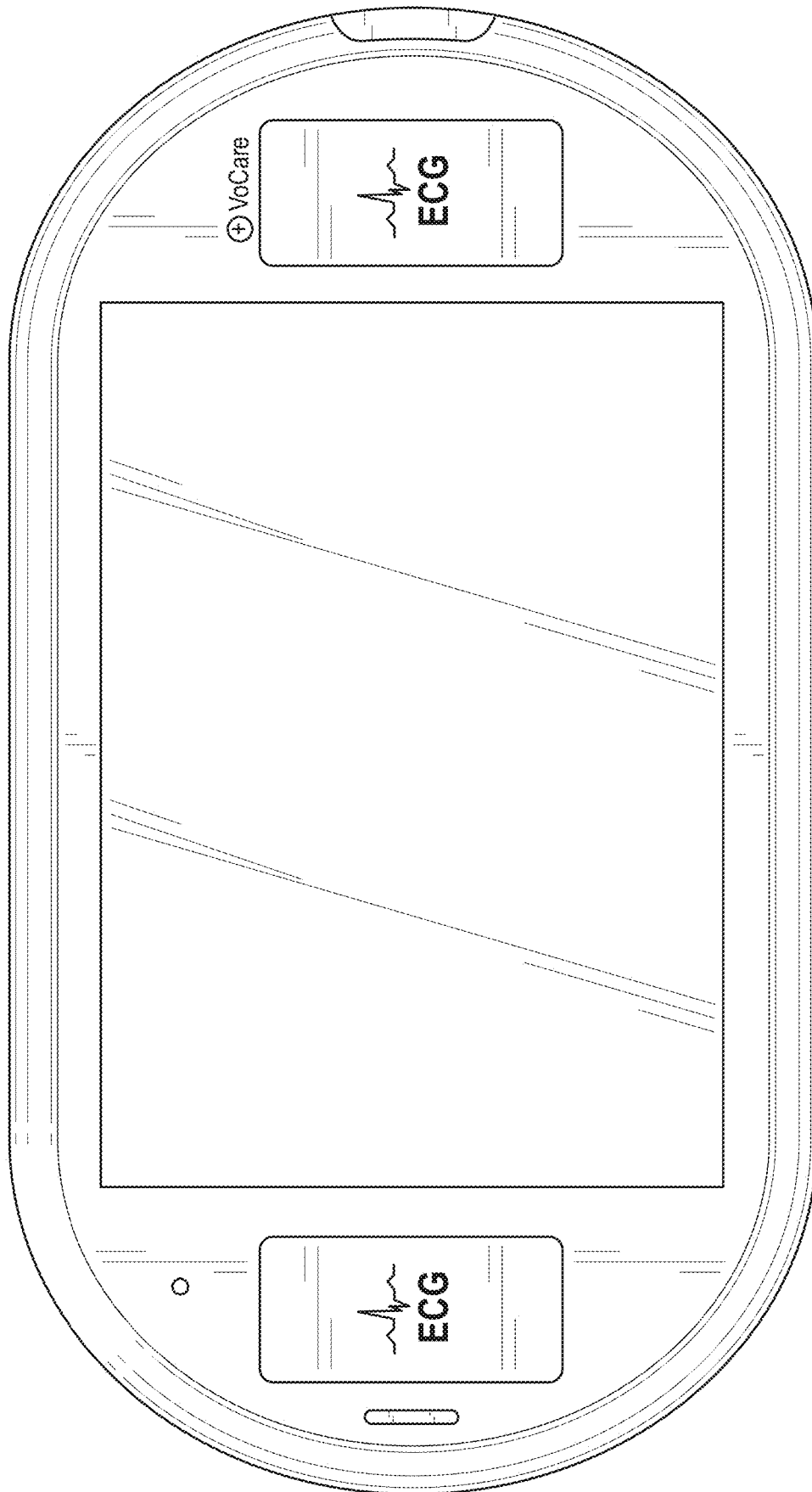


FIG. 2

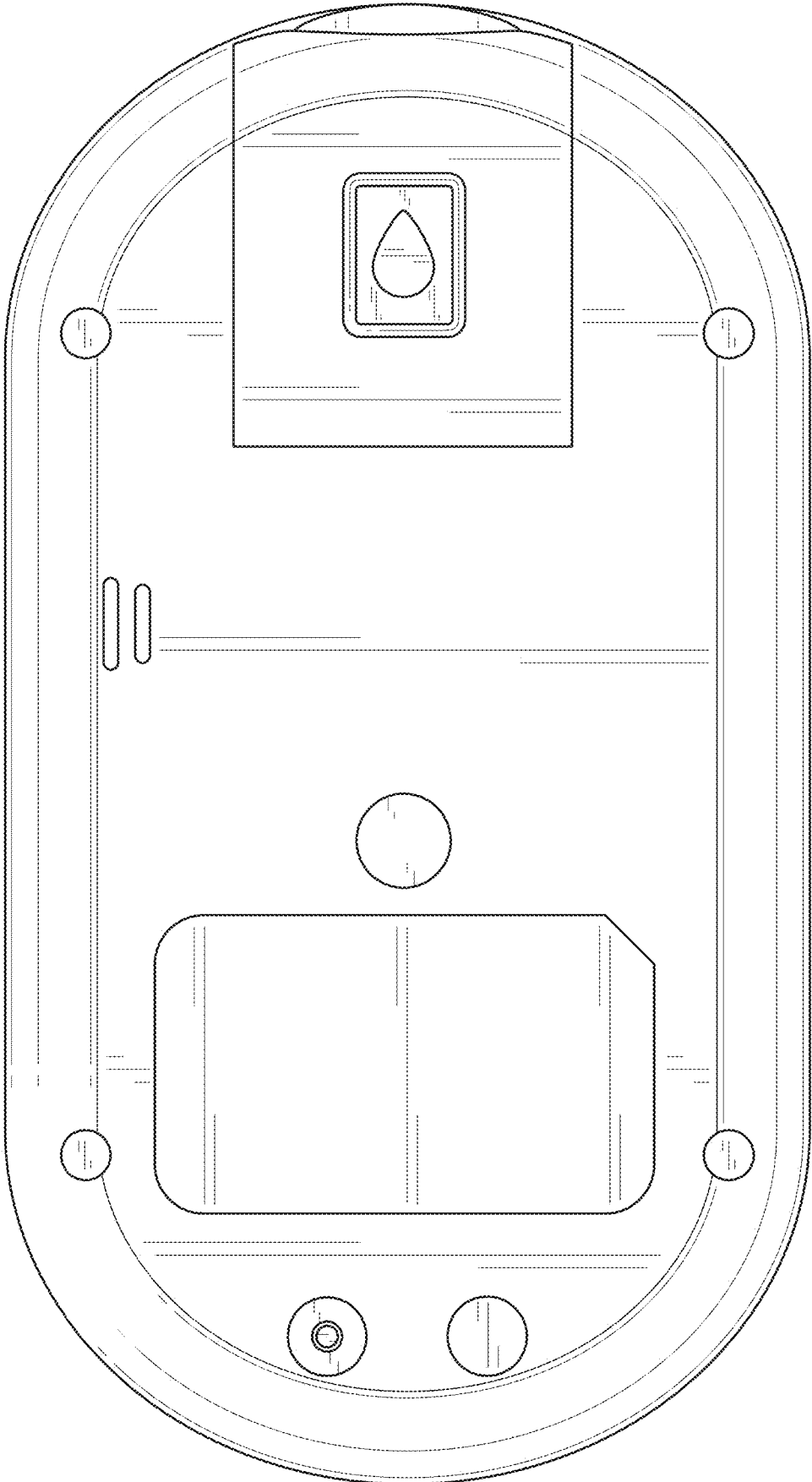


FIG. 3

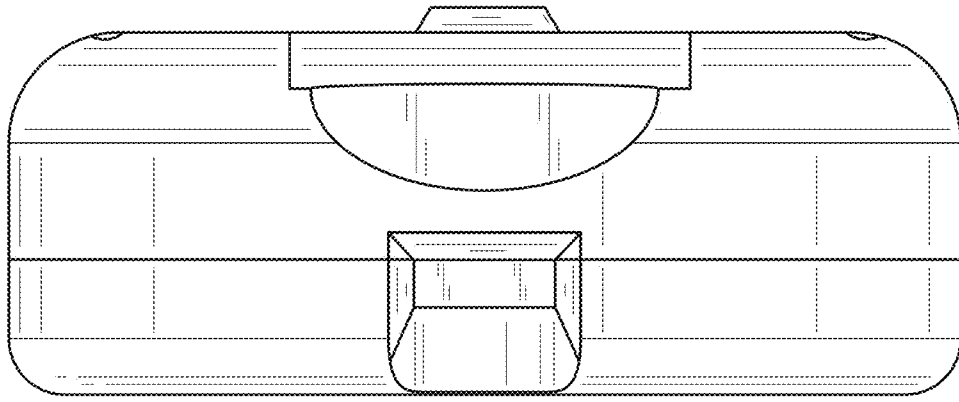


FIG. 5

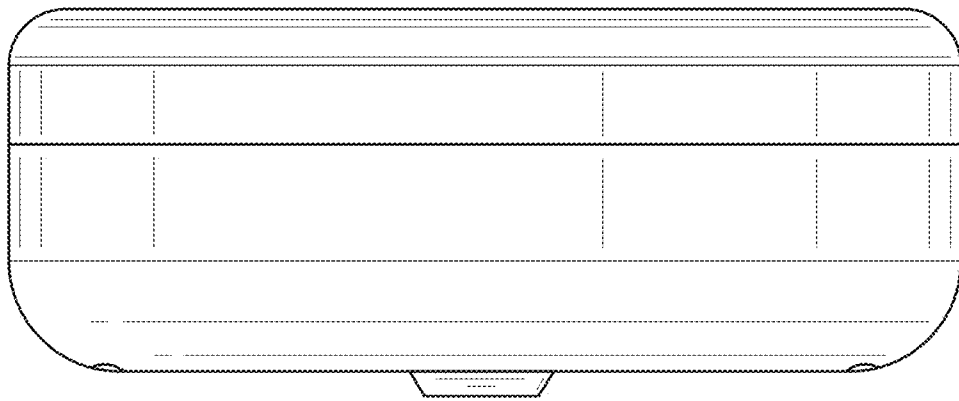


FIG. 4

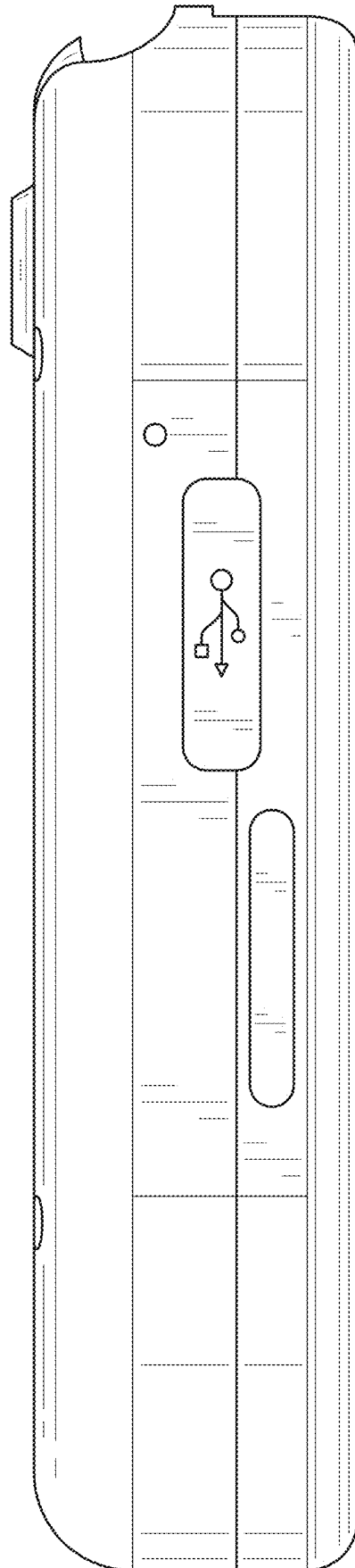


FIG. 6

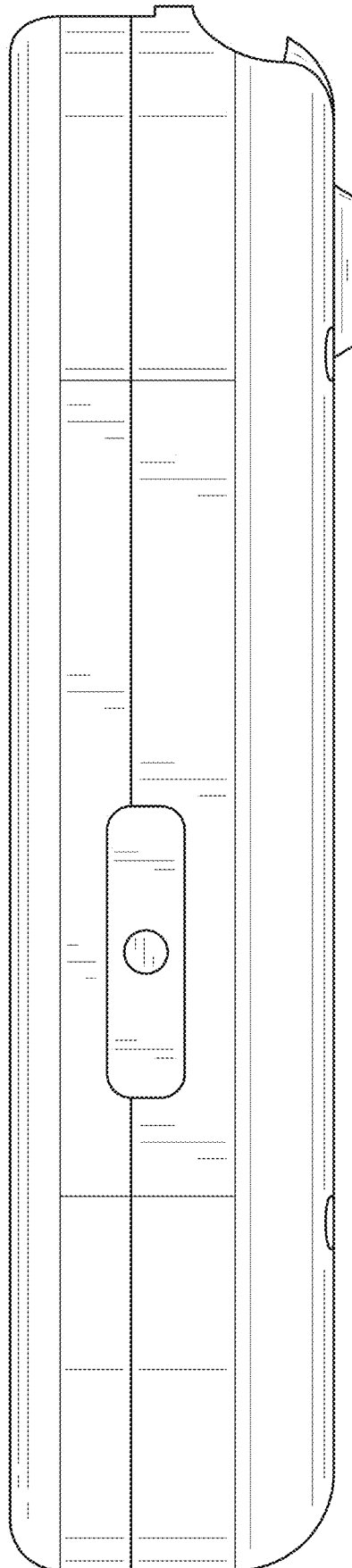


FIG. 7

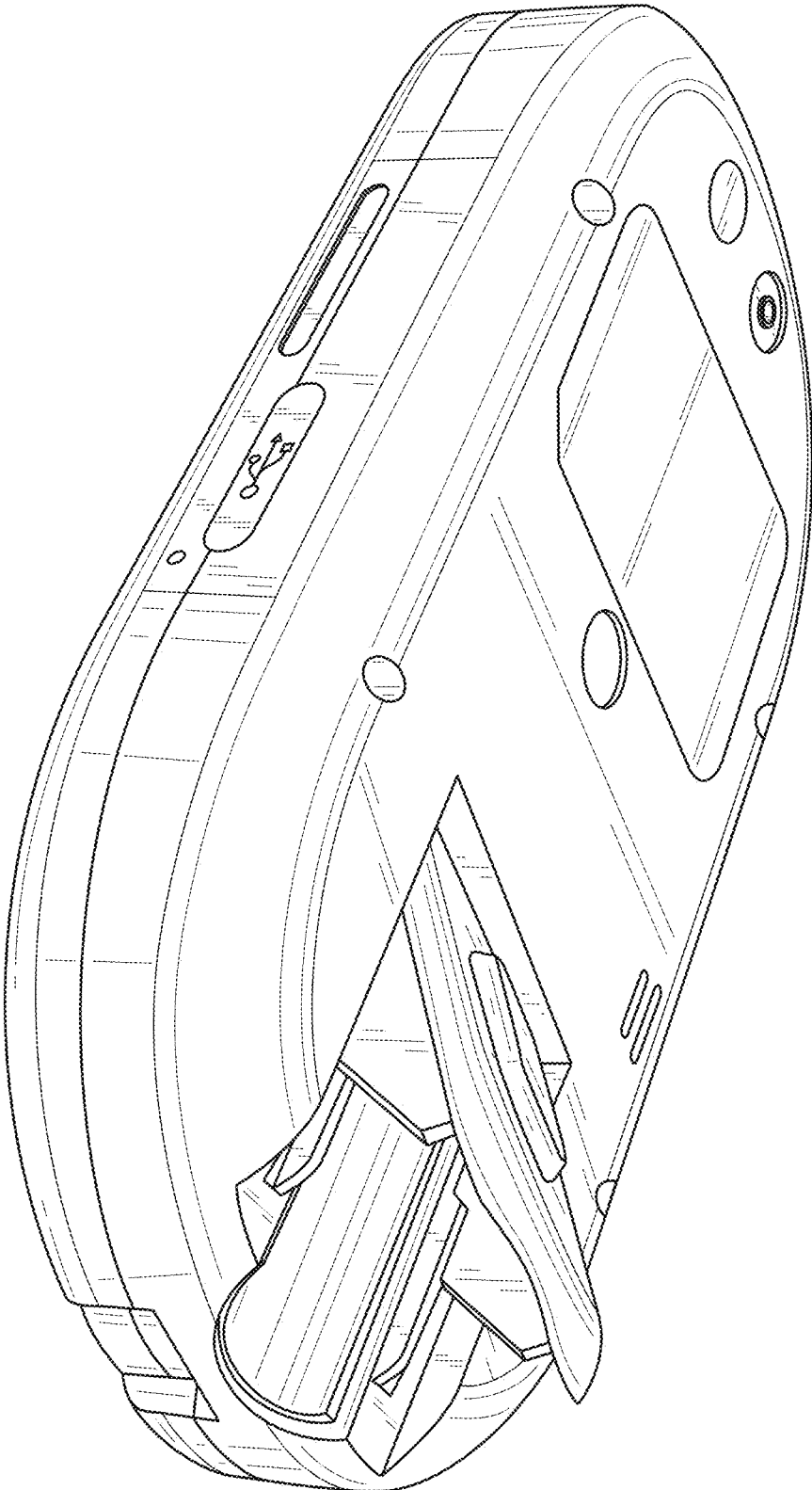


FIG. 8